

PRODUCT CODE: CS27
CHANNEL SPRING NUT



DESCRIPTION

M12 Short Spring Nut

FINISH

BZP

MATERIAL

Steel

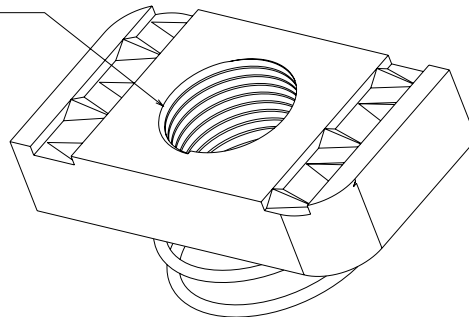
PACKAGING

Packed in qty 100

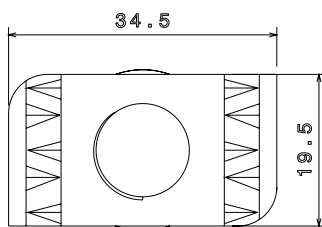
ADDITIONAL NOTES

Produced to comply with the requirements of BS6946 Metal Channel Support Systems
For use with 21mm depth channel
Compliant to LU Standard 1-085 (for use on surface & sub-surface locations)

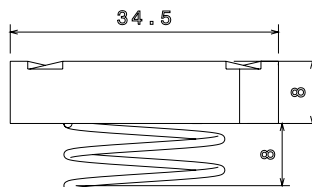
M12 Thread



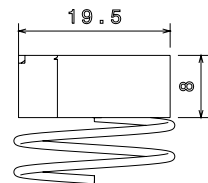
Isometric view



Top view



Side view



Front view